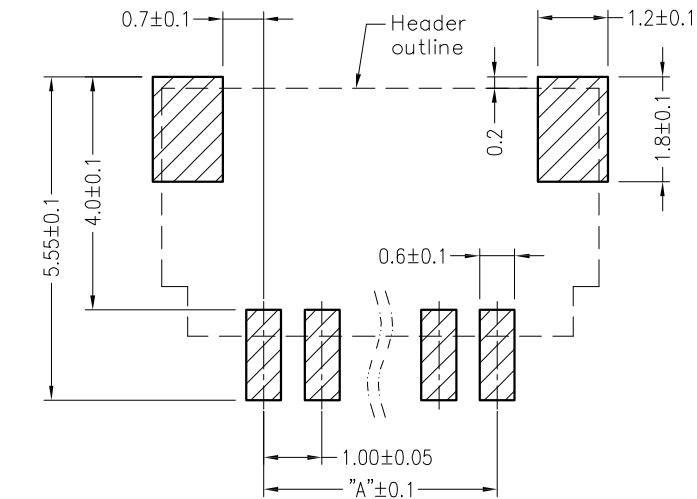
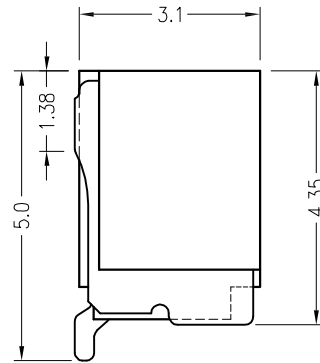
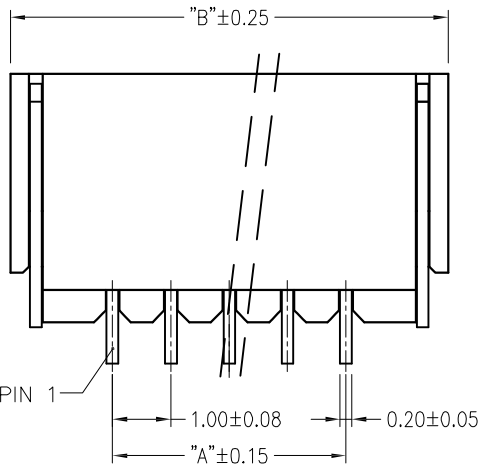


Assembly Layout



RECOMMENDED PCB LAYOUT

SPECIFICATIONS

- Applicable Wire: AWG#28~#32
- Rated voltage: 50V DC/AC(rms)
- Rated Current: 1A (AWG #28)
- Withstand voltage: 500V AC/min.
- Working Temp : -25°C ~ +85°C
- Insulation resistance: $\geq 100 \text{ M}\Omega$

MATERIAL

- Insulator: PA9T, UL94-V0
- Contact PIN: Phosphor bronze
- Solder tab: Phosphor bronze

| Poles | DIM.A | DIM.B | DIM.C |
|-------|-------|-------|-------|
| 2P | 1.0 | 4.5 | 2.6 |
| 3P | 2.0 | 5.5 | 3.6 |
| 4P | 3.0 | 6.5 | 4.6 |
| 5P | 4.0 | 7.5 | 5.6 |
| 6P | 5.0 | 8.5 | 6.6 |
| 7P | 6.0 | 9.5 | 7.6 |
| 8P | 7.0 | 10.5 | 8.6 |
| 9P | 8.0 | 11.5 | 9.6 |
| 10P | 9.0 | 12.5 | 10.6 |
| 11P | 10.0 | 13.5 | 11.6 |
| 12P | 11.0 | 14.5 | 12.6 |
| 13P | 12.0 | 15.5 | 13.6 |
| 14P | 13.0 | 16.5 | 14.6 |
| 15P | 14.0 | 17.5 | 15.6 |
| 16P | 15.0 | 18.5 | 16.6 |
| 17P | 16.0 | 19.5 | 17.6 |
| 18P | 17.0 | 20.5 | 18.6 |
| 19P | 18.0 | 21.5 | 19.6 |
| 20P | 19.0 | 22.5 | 20.6 |

Ordering Information

WC - 3 - XX - PT - E002 - 2 - 44

1.0P Wafer Solder/PCB Total PIN Contact Plated Packing
 1:DIP RA 2:DIP VT PT: Tin 2:Tape&Reel
 3:SMT RA
 4:SMT VT

RoHS
Compliant

| REV. | REVISION RECORD | DATE | General Tolerances | | |
|------|-----------------|-----------|--------------------|---------------------------|-------------|
| A | Original | 05/23/13' | LINEAR | 0.0 ± 0.35 0.00 ± 0.20 | ANGLES ± 3° |
| B | Revised P/N | 01/16/15' | UNIT: mm | | |
| C | Revised P/N | 05/25/16' | A4 | NAME | DATE |
| D | Revised P/N | 01/19/17' | APPROVED | WENDY | |
| | | | DESIGNER | WHITE | |
| | | | DRAWN | ANGEL | |



TITLE: 1.0P Wafer SMT Right Angle 3.1H

DWG.NO.: WC3XXPTE0022-44 REV. D

SCALE: 1 : 1 SHEET: 1 OF 1